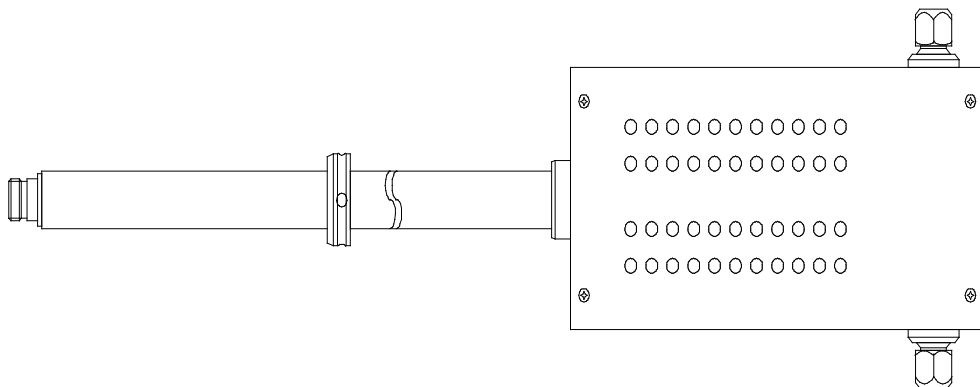
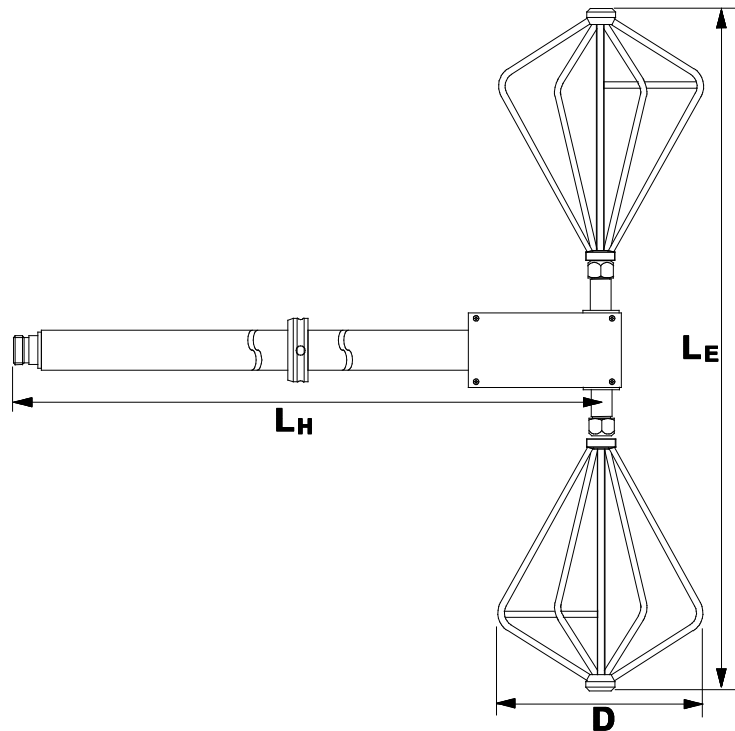
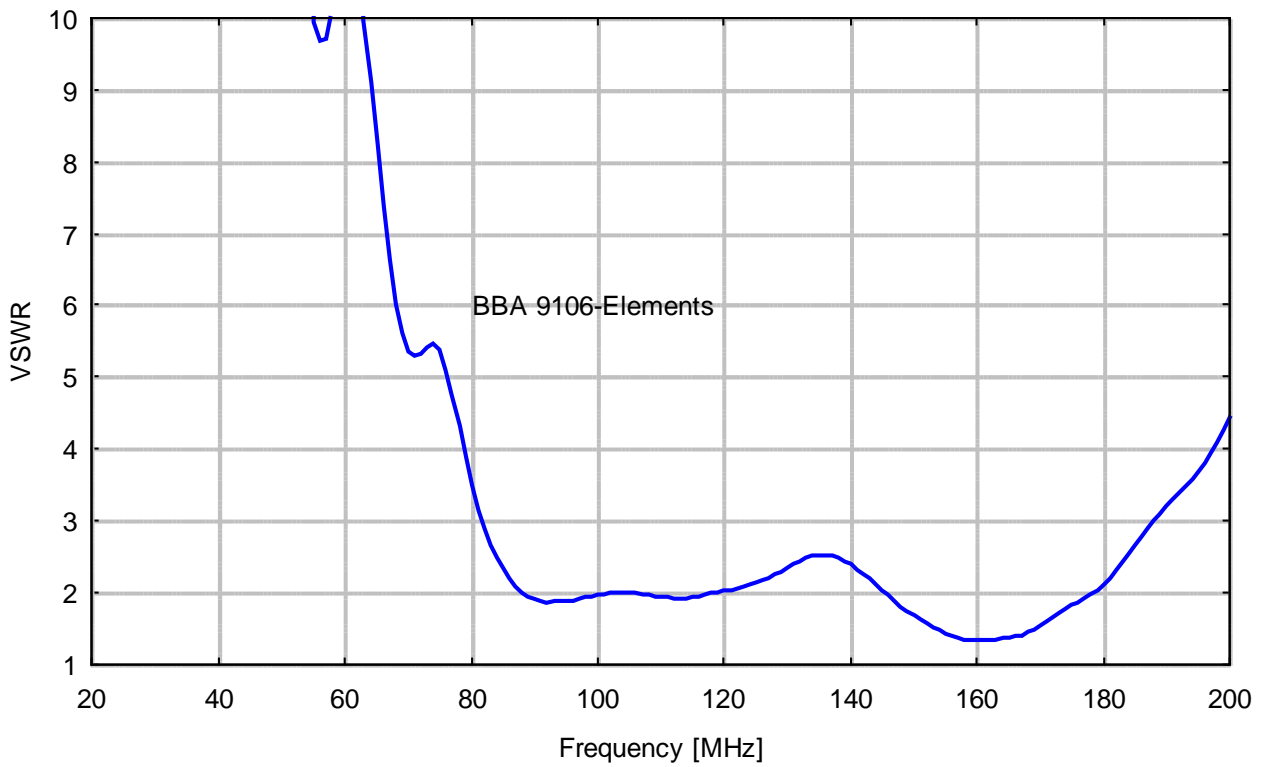


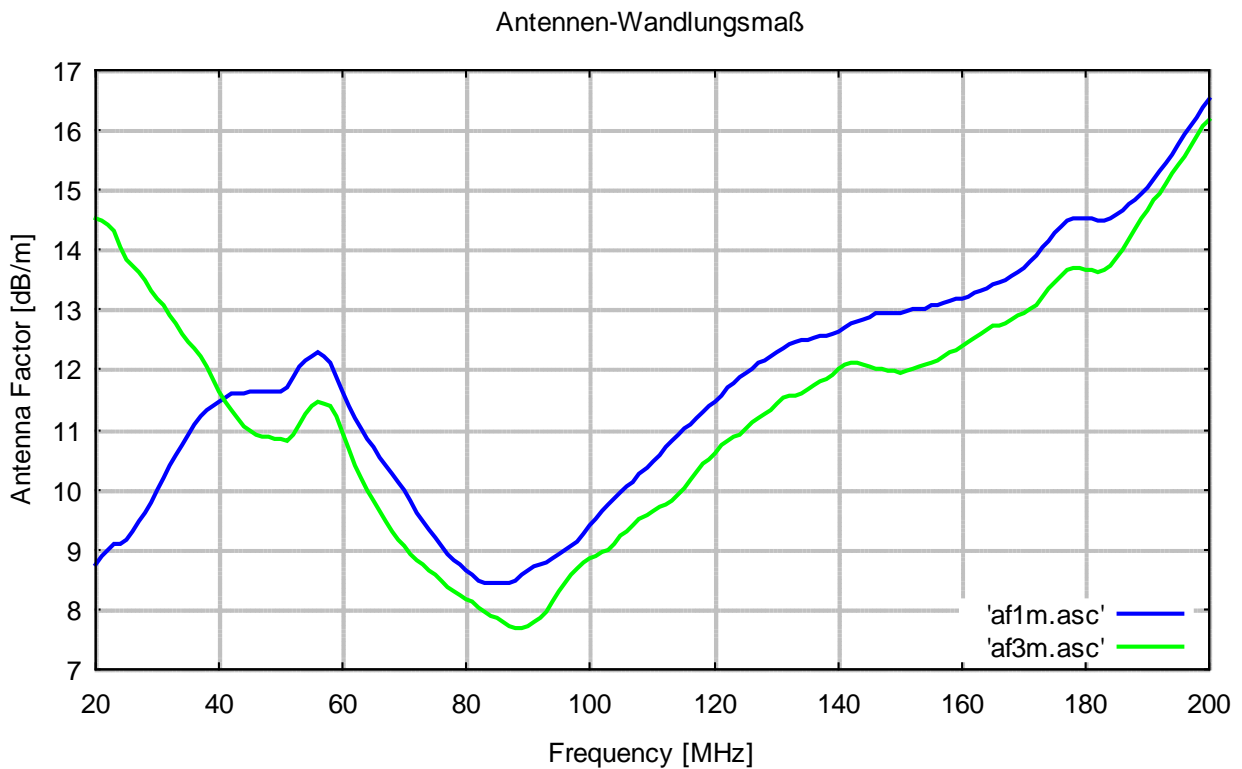
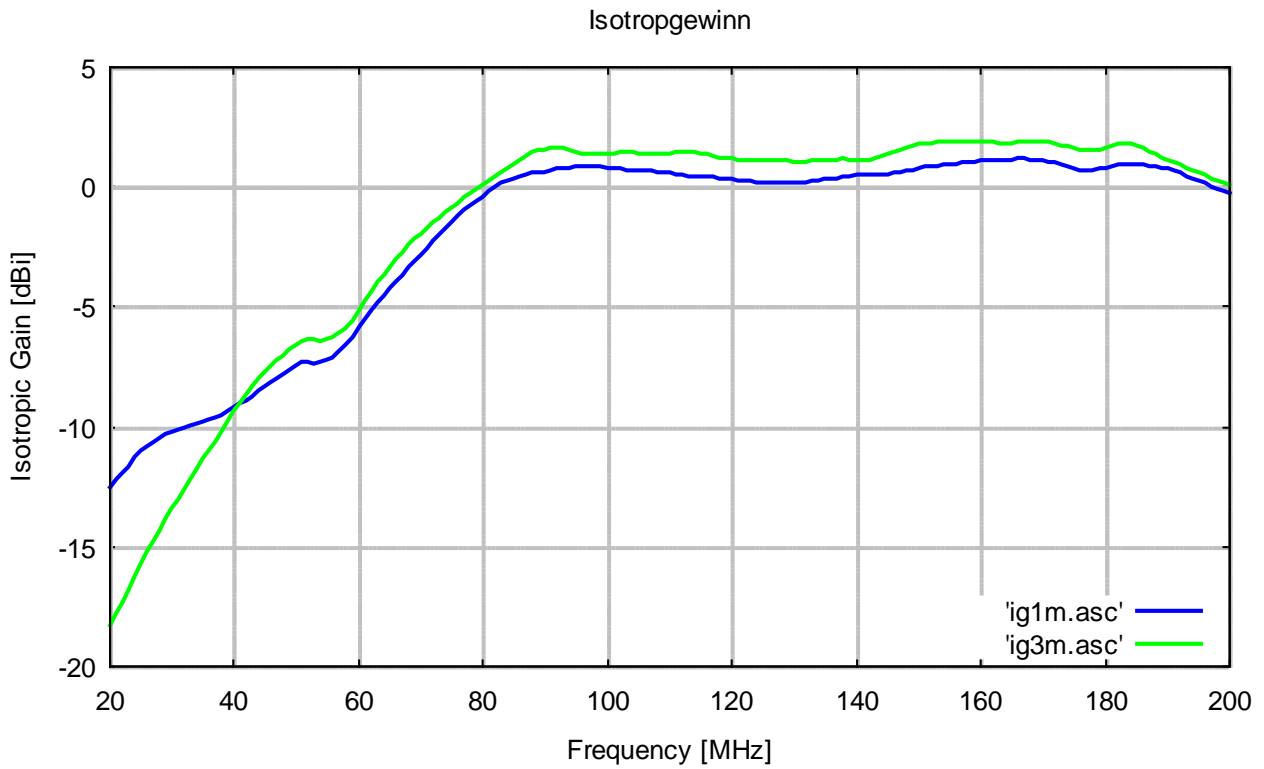
**VHBD 9134 Hochleistungs-Breitband Balun / Halter + BBA 9106 Elemente**  
**VHBD 9134 High Power Broadband Balun / Holder + BBA 9106 Elements**


<b>Technische Daten:</b>	<b>VHBD 9134 BBA 9106</b>	<b>Specifications:</b>
Frequenzbereich:	20-200 MHz	<i>Frequency range:</i>
Anschluss:	50 Ω N Option: 7/16	<i>Connector:</i>
Max. Leistung:	2.5 kW	<i>Max. Power:</i>
Polarisation:	linear	<i>Polarisation:</i>
Strahlungscharakteristik:	omnidirektional <i>omnidirectional</i>	<i>Pattern type:</i>
Elementlänge LE mit BBAL 9106:	1.35 m	<i>Element length LE with BBAL 9106:</i>
Elementdurchmesser LD	0.53 m	<i>Element diameter LD:</i>
Länge Halterung LH:	0.70 m / 22 mm	<i>Holder length LH:</i>
Elementaufnahme:	10 mm	<i>Element fixture:</i>
Gewicht des Halters / Balun:	2.10 kg	<i>Holder / balun weight:</i>
Gewicht eines Elements:	0.55 kg	<i>Weight of one element:</i>
Befestigung:	22 mm Rohr mit Rastring <i>22 mm tube with indexing ring</i>	<i>Mounting:</i>
Empfohlene Mast-Adapter:	AA 9202, AA 9203	<i>Recommended mast adapter:</i>



VSWR-Plot VHBD 9134







Frequency	Isotropic gain 1 m	Antenna factor 1 m	Isotropic gain 3 m	Antenna factor 3 m
[MHz]	[dBi]	[dB/m]	[dBi]	[dB/m]
20.00	-12.52	8.76	-18.29	14.53
21.00	-12.22	8.88	-17.81	14.47
22.00	-11.93	9.00	-17.34	14.41
23.00	-11.64	9.09	-16.86	14.31
24.00	-11.27	9.09	-16.22	14.04
25.00	-10.98	9.16	-15.67	13.85
26.00	-10.79	9.31	-15.21	13.73
27.00	-10.61	9.46	-14.77	13.62
28.00	-10.44	9.60	-14.32	13.48
29.00	-10.31	9.78	-13.85	13.32
30.00	-10.21	9.97	-13.42	13.18
31.00	-10.16	10.21	-13.03	13.08
32.00	-10.08	10.40	-12.60	12.92
33.00	-9.99	10.58	-12.17	12.76
34.00	-9.89	10.74	-11.75	12.60
35.00	-9.82	10.92	-11.35	12.45
36.00	-9.74	11.09	-11.00	12.35
37.00	-9.65	11.23	-10.63	12.21
38.00	-9.51	11.33	-10.22	12.04
39.00	-9.35	11.39	-9.80	11.84
40.00	-9.20	11.46	-9.38	11.64
41.00	-9.05	11.53	-8.99	11.47
42.00	-8.90	11.58	-8.64	11.32
43.00	-8.71	11.60	-8.29	11.18
44.00	-8.53	11.62	-7.97	11.06
45.00	-8.35	11.63	-7.70	10.98
46.00	-8.16	11.64	-7.45	10.93
47.00	-7.99	11.65	-7.23	10.89
48.00	-7.79	11.63	-7.04	10.88
49.00	-7.60	11.62	-6.81	10.83
50.00	-7.43	11.63	-6.63	10.83
51.00	-7.33	11.70	-6.44	10.81
52.00	-7.32	11.86	-6.37	10.91
53.00	-7.34	12.05	-6.37	11.08
54.00	-7.30	12.17	-6.39	11.26
55.00	-7.21	12.24	-6.37	11.40
56.00	-7.09	12.27	-6.28	11.46
57.00	-6.90	12.24	-6.10	11.44
58.00	-6.62	12.11	-5.90	11.39
59.00	-6.25	11.89	-5.58	11.22
60.00	-5.86	11.64	-5.16	10.94
61.00	-5.47	11.40	-4.74	10.67
62.00	-5.12	11.19	-4.33	10.40
63.00	-4.80	11.01	-3.97	10.18
64.00	-4.51	10.85	-3.65	9.99
65.00	-4.23	10.71	-3.34	9.82
66.00	-3.94	10.55	-3.02	9.63
67.00	-3.65	10.39	-2.72	9.46
68.00	-3.38	10.25	-2.43	9.30
69.00	-3.12	10.12	-2.17	9.17
70.00	-2.86	9.98	-1.93	9.05
71.00	-2.56	9.81	-1.69	8.94
72.00	-2.25	9.62	-1.46	8.83



Frequency	Isotropic gain 1 m	Antenna factor 1 m	Isotropic gain 3 m	Antenna factor 3 m
[MHz]	[dBi]	[dB/m]	[dBi]	[dB/m]
73.00	-1.98	9.47	-1.26	8.75
74.00	-1.73	9.33	-1.05	8.65
75.00	-1.48	9.20	-0.87	8.59
76.00	-1.22	9.06	-0.65	8.49
77.00	-0.97	8.92	-0.43	8.38
78.00	-0.74	8.80	-0.23	8.29
79.00	-0.56	8.73	-0.06	8.23
80.00	-0.38	8.66	0.11	8.17
81.00	-0.18	8.57	0.27	8.12
82.00	0.01	8.49	0.46	8.04
83.00	0.17	8.43	0.64	7.96
84.00	0.28	8.43	0.80	7.91
85.00	0.37	8.44	0.96	7.85
86.00	0.48	8.43	1.13	7.78
87.00	0.56	8.45	1.29	7.72
88.00	0.62	8.49	1.44	7.67
89.00	0.64	8.57	1.53	7.68
90.00	0.65	8.65	1.59	7.71
91.00	0.68	8.72	1.63	7.77
92.00	0.75	8.75	1.64	7.86
93.00	0.79	8.80	1.62	7.97
94.00	0.82	8.86	1.56	8.12
95.00	0.85	8.92	1.46	8.31
96.00	0.88	8.99	1.41	8.46
97.00	0.90	9.06	1.38	8.58
98.00	0.90	9.14	1.37	8.67
99.00	0.86	9.27	1.36	8.77
100.00	0.82	9.40	1.37	8.85
101.00	0.79	9.52	1.41	8.90
102.00	0.76	9.63	1.44	8.95
103.00	0.73	9.75	1.48	9.00
104.00	0.71	9.85	1.47	9.09
105.00	0.70	9.94	1.42	9.22
106.00	0.68	10.05	1.41	9.32
107.00	0.67	10.14	1.41	9.40
108.00	0.64	10.25	1.40	9.49
109.00	0.61	10.36	1.41	9.56
110.00	0.58	10.47	1.42	9.63
111.00	0.54	10.59	1.43	9.70
112.00	0.50	10.70	1.45	9.75
113.00	0.46	10.82	1.45	9.83
114.00	0.44	10.92	1.45	9.91
115.00	0.43	11.00	1.42	10.01
116.00	0.43	11.08	1.36	10.15
117.00	0.41	11.17	1.28	10.30
118.00	0.38	11.28	1.24	10.42
119.00	0.35	11.38	1.22	10.51
120.00	0.33	11.47	1.21	10.59
121.00	0.30	11.58	1.15	10.73
122.00	0.25	11.70	1.15	10.80
123.00	0.23	11.79	1.15	10.87
124.00	0.22	11.87	1.16	10.93
125.00	0.21	11.95	1.14	11.02



Frequency	Isotropic gain 1 m	Antenna factor 1 m	Isotropic gain 3 m	Antenna factor 3 m
[MHz]	[dBi]	[dB/m]	[dBi]	[dB/m]
126.00	0.20	12.03	1.10	11.13
127.00	0.19	12.11	1.11	11.19
128.00	0.21	12.15	1.10	11.26
129.00	0.21	12.22	1.09	11.34
130.00	0.21	12.29	1.07	11.43
131.00	0.22	12.35	1.04	11.53
132.00	0.22	12.41	1.07	11.56
133.00	0.25	12.45	1.13	11.57
134.00	0.28	12.48	1.15	11.61
135.00	0.33	12.50	1.16	11.67
136.00	0.35	12.54	1.16	11.73
137.00	0.39	12.56	1.15	11.80
138.00	0.44	12.58	1.18	11.84
139.00	0.47	12.61	1.16	11.92
140.00	0.51	12.63	1.14	12.00
141.00	0.50	12.70	1.13	12.07
142.00	0.50	12.77	1.15	12.12
143.00	0.51	12.82	1.22	12.11
144.00	0.54	12.85	1.30	12.09
145.00	0.56	12.89	1.39	12.06
146.00	0.58	12.93	1.48	12.03
147.00	0.62	12.95	1.56	12.01
148.00	0.67	12.96	1.63	12.00
149.00	0.73	12.95	1.72	11.96
150.00	0.79	12.95	1.78	11.96
151.00	0.83	12.97	1.82	11.98
152.00	0.86	13.00	1.85	12.01
153.00	0.90	13.01	1.87	12.04
154.00	0.95	13.02	1.88	12.09
155.00	0.96	13.07	1.92	12.11
156.00	0.99	13.09	1.93	12.15
157.00	1.02	13.12	1.92	12.22
158.00	1.04	13.15	1.92	12.27
159.00	1.08	13.17	1.91	12.34
160.00	1.11	13.19	1.91	12.39
161.00	1.13	13.23	1.90	12.46
162.00	1.13	13.28	1.88	12.53
163.00	1.14	13.32	1.85	12.61
164.00	1.15	13.37	1.85	12.67
165.00	1.16	13.41	1.85	12.72
166.00	1.17	13.45	1.87	12.75
167.00	1.17	13.50	1.90	12.77
168.00	1.15	13.58	1.89	12.84
169.00	1.15	13.63	1.88	12.90
170.00	1.12	13.71	1.88	12.95
171.00	1.08	13.80	1.86	13.02
172.00	1.03	13.90	1.84	13.09
173.00	0.95	14.03	1.77	13.21
174.00	0.87	14.16	1.69	13.34
175.00	0.79	14.29	1.61	13.47
176.00	0.73	14.40	1.57	13.56
177.00	0.70	14.48	1.52	13.66

Frequency	Isotropic gain 1 m	Antenna factor 1 m	Isotropic gain 3 m	Antenna factor 3 m
[MHz]	[dBi]	[dB/m]	[dBi]	[dB/m]
177.00	0.70	14.48	1.52	13.66
178.00	0.70	14.53	1.54	13.69
179.00	0.74	14.54	1.59	13.69
180.00	0.80	14.53	1.66	13.67
181.00	0.85	14.52	1.72	13.65
182.00	0.94	14.48	1.78	13.64
183.00	0.98	14.49	1.80	13.67
184.00	0.99	14.53	1.79	13.73
185.00	0.97	14.59	1.71	13.85
186.00	0.95	14.66	1.60	14.01
187.00	0.91	14.75	1.46	14.20
188.00	0.86	14.84	1.36	14.34
189.00	0.80	14.95	1.23	14.52
190.00	0.74	15.06	1.12	14.68
191.00	0.66	15.18	1.01	14.83
192.00	0.57	15.32	0.94	14.95
193.00	0.47	15.46	0.82	15.11
194.00	0.38	15.60	0.71	15.27
195.00	0.27	15.75	0.61	15.41
196.00	0.14	15.93	0.50	15.57
197.00	0.03	16.08	0.38	15.73
198.00	-0.07	16.22	0.24	15.91
199.00	-0.17	16.37	0.14	16.06
200.00	-0.27	16.51	0.06	16.18