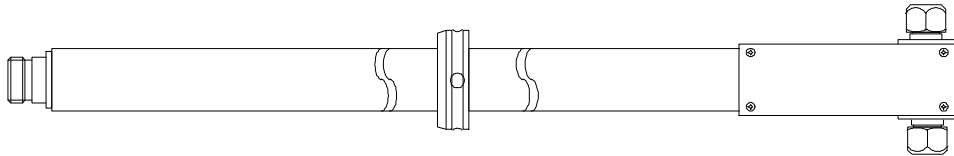


SCHWARZBECK MESS - ELEKTRONIK

An der Klinge 29 D-69250 Schönau Tel.: 06228/1001 Fax.: (49)6228/1003

VHF-UHF Breitband Balun / Halter UBAA 9115 VHF-UHF Broadband Balun / Holder UBAA 9115



Technische Daten:

Frequenzbereich, nominell: 30 - 1000 MHz
 Frequenzbereich, nutzbar: 20 - 1200 MHz
 VSWR ab 300 MHz über 3dB-
 Dämpfungsglied: < 2
 Antennenwandlungsmaß:
 (abhängig vom Elementtyp) 18 - 23 dB/m
 Länge Halterung: LH=540 mm

Breite: je nach Elementtyp
 (siehe Tabelle Zubehör)
 Antennenschaft (Halterungsrohr) Ø 22 mm
 Gewicht der gesamten Antenne: 0.83 kg
 HF-Leistung: 5 W
 Koaxialanschluß: N-Buchse / N - female

Empfohlenes Zubehör:

BBVU 9135 Bikonus-Elemente LE=444 mm, D=185 mm
BBUK 9139 Bikonus-Elemente LE=330 mm, D=130 mm
BAOC 9216 Offenkonus-Elemente LE=276 mm, D=155 mm
BBOC 9217 Offenkonus-Elemente LE=390 mm, D=230 mm

Specifications:

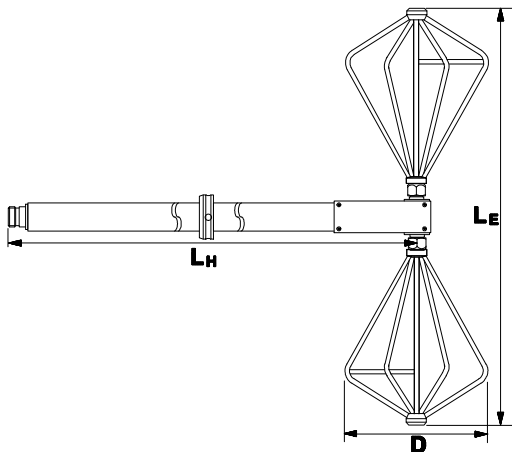
Frequency Range, nominal: 30 - 1000 MHz
 Frequency Range, usable: 20 - 1200 MHz
 VSWR, $f > 300$ MHz, via 3 dB
 pad: < 2
 Antenna Factor:
 (depending on elem. type in use) 18 - 23 dB/m
 Length holder: LH=540 mm

Width depends on elements used
 (see table accessories below)
 Antenna shaft (Tube): Ø 22 mm
 Total weight: 0.83 kg
 Power (EMC TX): 5 W
 Coaxial Connector: N - female

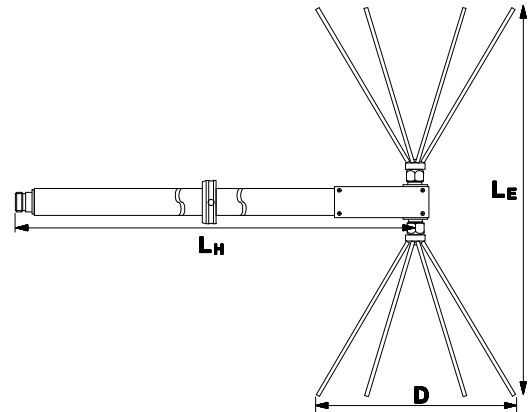
Recommended Accessories:

BBVU 9135 Biconical Elements
BBUK 9139 Biconical Elements
BAOC 9216 Open-Cone Elements
BBOC 9217 Open-Cone Elements

Bikonus-Elemente Biconical Elements



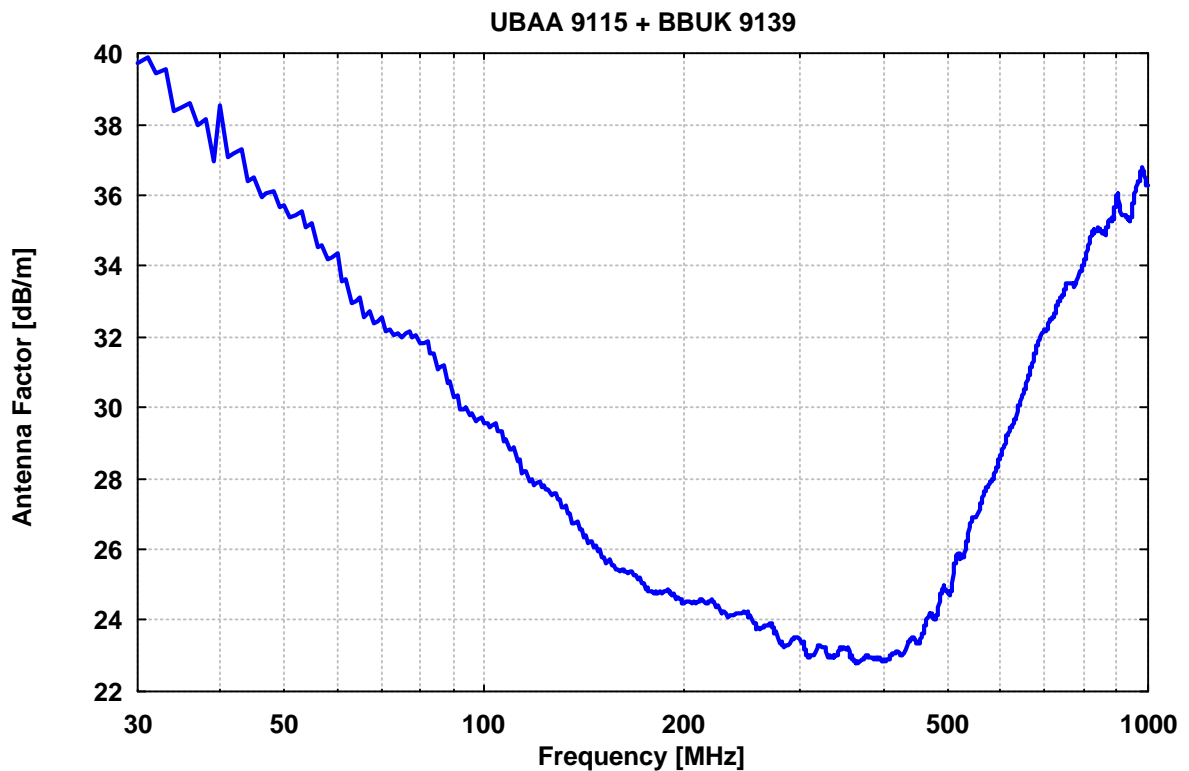
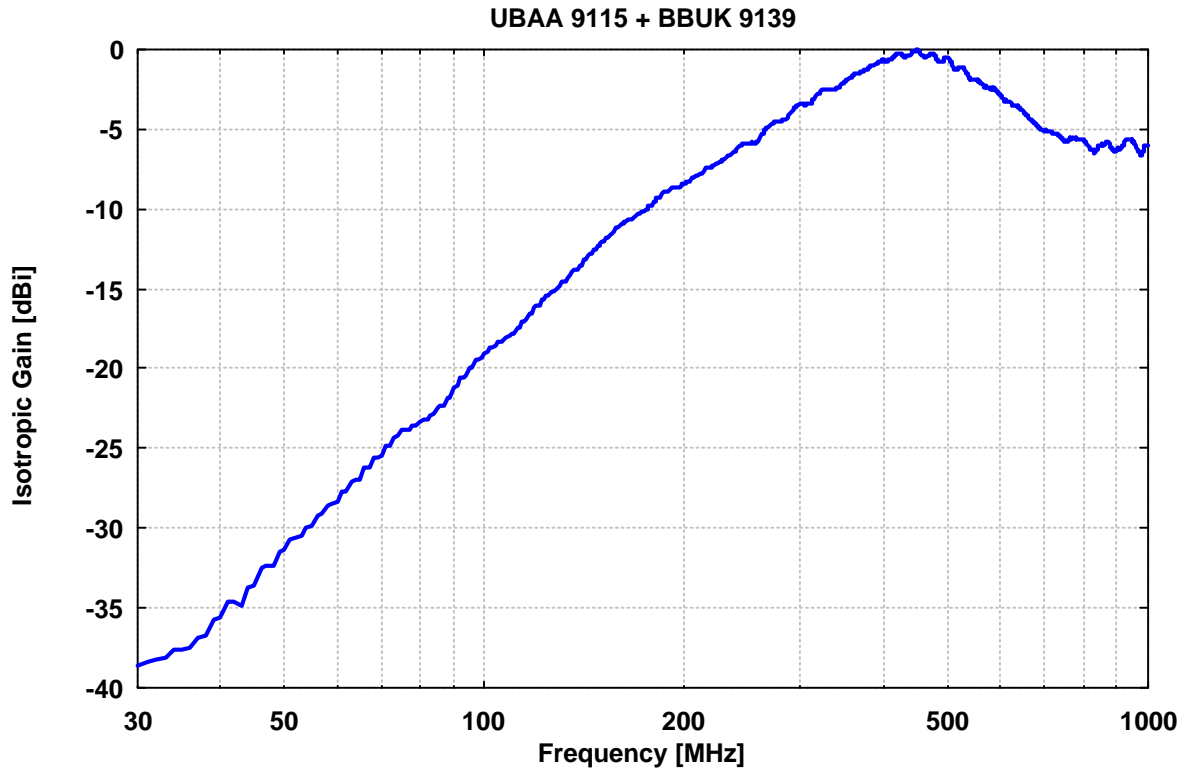
Offenkonus-Elemente Open Cone Elements



SCHWARZBECK MESS - ELEKTRONIK

An der Klinge 29 D-69250 Schönau Tel.: 06228/1001 Fax.: (49)6228/1003

VHF-UHF Breitband Balun / Halter UBAA 9115 + BBUK 9139
VHF-UHF Broadband Balun / Holder UBAA 9115 + BBUK 9139



SCHWARZBECK MESS - ELEKTRONIK

An der Klinge 29 D-69250 Schönau Tel.: 06228/1001 Fax.: (49)6228/1003

VHF-UHF Breitband Balun / Halter UBAA 9115 + BBUK 9139 VHF-UHF Broadband Balun / Holder UBAA 9115 + BBUK 9139

<i>Frequency</i> Frequenz	<i>Distance</i> Abstand	<i>Wavelength</i> Wellenlänge	<i>Attenuation</i> Dämpfung	<i>Gain(Isotr.)</i> Isotropgewinn	<i>Gain(Dipole)</i> Gewinn über Dipol	<i>Ant.-Factor</i> Ant.-Wandlungsmaß
MHz	m	m	dB	dBi	dBd	dB/m
30.00	3.00	10.00	88.66	-38.57	-40.72	38.33
31.00	3.00	9.68	88.66	-38.43	-40.58	38.47
32.00	3.00	9.38	88.60	-38.26	-40.41	38.58
33.00	3.00	9.09	88.60	-38.12	-40.28	38.72
34.00	3.00	8.82	87.99	-37.69	-39.84	38.54
35.00	3.00	8.57	87.99	-37.56	-39.71	38.67
36.00	3.00	8.33	87.99	-37.44	-39.59	38.79
37.00	3.00	8.11	86.98	-36.82	-38.97	38.40
38.00	3.00	7.89	86.98	-36.70	-38.85	38.52
39.00	3.00	7.69	85.33	-35.76	-37.91	37.80
40.00	3.00	7.50	85.33	-35.65	-37.80	37.91
41.00	3.00	7.32	83.57	-34.66	-36.81	37.14
42.00	3.00	7.14	83.57	-34.56	-36.71	37.24
43.00	3.00	6.98	84.48	-34.91	-37.06	37.80
44.00	3.00	6.82	82.24	-33.69	-35.84	36.78
45.00	3.00	6.67	82.24	-33.59	-35.74	36.88
46.00	3.00	6.52	80.20	-32.48	-34.63	35.95
47.00	3.00	6.38	80.20	-32.38	-34.54	36.05
48.00	3.00	6.25	80.20	-32.29	-34.44	36.14
49.00	3.00	6.12	78.67	-31.44	-33.59	35.46
50.00	3.00	6.00	78.67	-31.35	-33.50	35.55
55.00	3.00	5.45	76.47	-29.84	-31.99	34.86
60.00	3.00	5.00	74.33	-28.39	-30.54	34.17
65.00	3.00	4.62	72.04	-26.90	-29.05	33.38
70.00	3.00	4.29	69.89	-25.50	-27.65	32.63
75.00	3.00	4.00	67.27	-23.89	-26.04	31.61
80.00	3.00	3.75	66.64	-23.29	-25.44	31.58
85.00	3.00	3.53	65.36	-22.39	-24.54	31.20
90.00	3.00	3.33	63.39	-21.16	-23.31	30.46
95.00	3.00	3.16	61.49	-19.98	-22.13	29.75
100.00	3.00	3.00	60.00	-19.01	-21.16	29.23
110.00	3.00	2.73	58.49	-17.84	-19.99	28.89
120.00	3.00	2.50	55.75	-16.09	-18.24	27.89
130.00	3.00	2.31	53.93	-14.83	-16.98	27.33
140.00	3.00	2.14	51.91	-13.50	-15.65	26.64
150.00	3.00	2.00	49.96	-12.22	-14.38	25.97
160.00	3.00	1.87	48.04	-10.99	-13.14	25.29
170.00	3.00	1.76	47.25	-10.33	-12.48	25.16
180.00	3.00	1.67	46.17	-9.54	-11.69	24.87
190.00	3.00	1.58	45.09	-8.77	-10.92	24.56
200.00	3.00	1.50	44.79	-8.39	-10.54	24.63
<i>Frequency</i> Frequenz	<i>Distance</i> Abstand	<i>Wavelength</i> Wellenlänge	<i>Attenuation</i> Dämpfung	<i>Gain(Isotr.)</i> Isotropgewinn	<i>Gain(Dipole)</i> Gewinn über Dipol	<i>Ant.-Factor</i> Ant.-Wandlungsmaß
MHz	m	m	dB	dBi	dBd	dB/m

SCHWARZBECK MESS - ELEKTRONIK

An der Klinge 29 D-69250 Schönau Tel.: 06228/1001 Fax.: (49)6228/1003

VHF-UHF Breitband Balun / Halter UBAA 9115 + BBUK 9139 VHF-UHF Broadband Balun / Holder UBAA 9115 + BBUK 9139

Frequency Frequenz	Distance Abstand	Wavelength Wellenlänge	Attenuation Dämpfung	Gain(Isotr.) Isotropgewinn	Gain(Dipole) Gewinn über Dipol	Ant.-Factor Ant.-Wandlungsmaß
MHz	m	m	dB	dBi	dBd	dB/m
220.00	3.00	1.36	43.51	-7.34	-9.49	24.41
240.00	3.00	1.25	42.02	-6.22	-8.37	24.04
260.00	3.00	1.15	41.30	-5.51	-7.66	24.03
280.00	3.00	1.07	39.90	-4.48	-6.63	23.65
300.00	3.00	1.00	38.29	-3.38	-5.53	23.14
320.00	3.00	0.94	37.65	-2.78	-4.93	23.10
340.00	3.00	0.88	37.37	-2.38	-4.53	23.23
360.00	3.00	0.83	36.35	-1.62	-3.77	22.96
380.00	3.00	0.79	35.80	-1.11	-3.26	22.92
400.00	3.00	0.75	35.37	-0.67	-2.82	22.93
420.00	3.00	0.71	35.01	-0.28	-2.43	22.96
440.00	3.00	0.68	35.47	-0.31	-2.46	23.39
460.00	3.00	0.65	36.05	-0.40	-2.56	23.88
480.00	3.00	0.63	36.40	-0.39	-2.54	24.24
500.00	3.00	0.60	37.01	-0.52	-2.68	24.72
525.00	3.00	0.57	38.60	-1.10	-3.25	25.73
550.00	3.00	0.55	40.56	-1.89	-4.04	26.91
575.00	3.00	0.52	42.04	-2.43	-4.58	27.84
600.00	3.00	0.50	43.20	-2.83	-4.98	28.61
625.00	3.00	0.48	44.66	-3.38	-5.53	29.52
650.00	3.00	0.46	45.83	-3.79	-5.94	30.27
675.00	3.00	0.44	47.69	-4.56	-6.71	31.37
700.00	3.00	0.43	49.10	-5.11	-7.26	32.23
750.00	3.00	0.40	51.09	-5.80	-7.95	33.52
800.00	3.00	0.38	51.33	-5.64	-7.79	33.92
850.00	3.00	0.35	52.63	-6.03	-8.18	34.83
900.00	3.00	0.33	53.52	-6.22	-8.37	35.53
950.00	3.00	0.32	52.94	-5.70	-7.85	35.47
1000.0	3.00	0.30	54.05	-6.03	-8.18	36.25
Frequency Frequenz	Distance Abstand Dcal	Wavelength Wellenlänge	Attenuation Dämpfung	Gain(Isotr.) Isotropgewinn	Gain(Dipole) Gewinn über Dipol	Ant.-Factor Ant.-Wandlungsmaß
MHz	m	m	dB	dBi	dBd	dB/m

